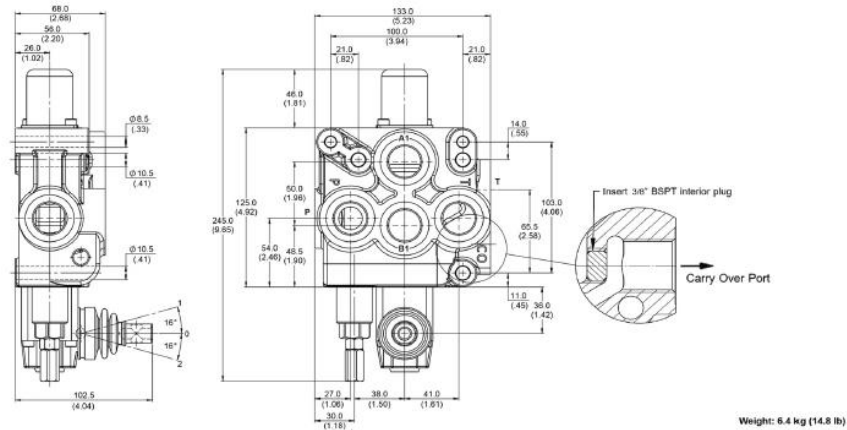




Monoblock 1Pal-3/4G 70LPM 210 BAR

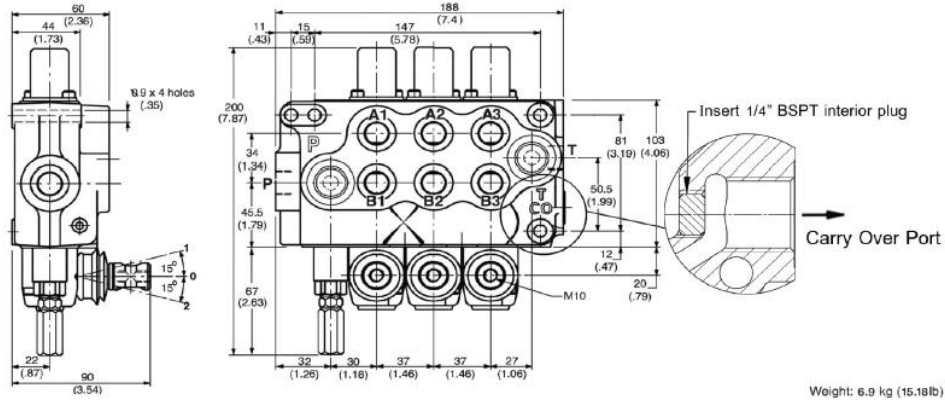


CODIGO	DESCRIPCION	Nominal Flow L/min	Maximum Pressure bar	Number of Spool	Relief Valve Setting bar	Port Connection (A-B, P, T, CO)	Circuit Option (Outlet cover)	Optional Port Connection
HOFVMMCD5001	Monoblock-1Pal-3/4G-70L Res(MCD50/1-140/S1-B6)	70	210	1	140	3/4" BSP	With open center plug	Use port P and T at side plugged P and T on top (standard)
HOFVMMCD5002	Monoblock-1Pal-3/4G-70L Enc(MCD50/1-140/D2/OC-B6-S)	70	210	1	140	3/4" BSP	With open center plug	Use port P and T at side plugged P and T on top (standard)
HOFVMMCD5003	Monoblock 1Pal-3/4G-70L Enc(MCD50/1-140/D1-B6)	70	210	1	140	3/4" BSP	With open center plug	Use port P and T at side plugged P and T on top (standard)

La información recogida en esta ficha (Catálogo) es de carácter orientativo y puede ser modificada o no sin previo aviso. UTECSA no se hace responsable de una correcta utilización del producto, salvo las referentes a defectos de fabricación.



Monoblock 4Pal-1/2G 45LPM 210 BAR



CODIGO	DESCRIPCION	1st Spool Spool Control A Port side	1st Spool Spool Type
HOFVDMCD5001	Monoblock-1Pal-3/4G-70L Res(MCD50/1-140/S1-B6)	Spring return to center	Double acting, 3 position with A and B closed in center (Cylinder spool) bar (psi)
HOFVDMCD5002	Monoblock-1Pal-3/4G-70L Enc(MCD50/1-140/D2/OC-B6-S)	Detent in three positions	Double acting, 3 position with A and B to tank in center (Motoring spool) bar (psi)
HOFVDMCD5003	Monoblock 1Pal-3/4G-70L Enc(MCD50/1-140/D1-B6)	Detent in three positions	Double acting, 3 position with A and B closed in center (Cylinder spool) bar (psi)

La información recogida en esta ficha (Catálogo) es de carácter orientativo y puede ser modificada o no sin previo aviso. UTECSA no se hace responsable de una correcta utilización del producto, salvo las referentes a defectos de fabricación.