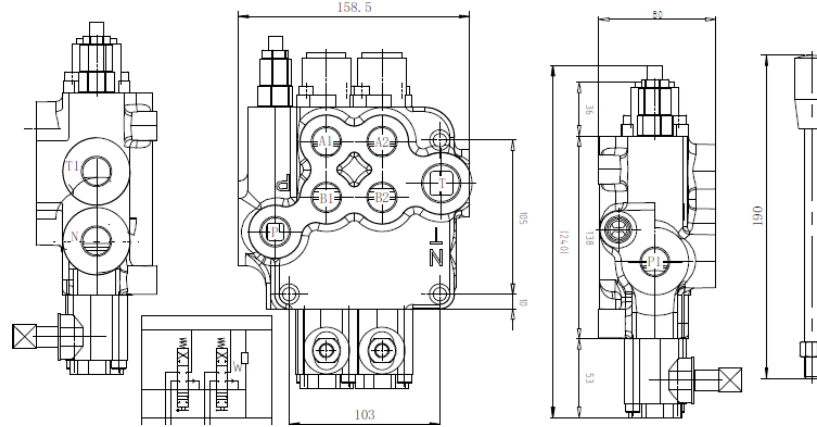




## Monoblock 2Pa1-1G 80LPM 210 BAR



CODIGO	DESCRIPCION	Nominal Flow L/min	Maximum Pressure bar	Number of Spool	Relief Valve Setting bar	1st Spool Spool Control A Port side	1st Spool Spool Type	2nd Spool Spool Control A Port side	2nd Spool Spool Type	Port Connection (A-B, P, T, CO)	Circuit Option (Outlet cover)	Optional Port Connection
HOFVMMCD8002	Monoblock 2Pa1-1"G 80LPM Res 210 BAR (2P80) WUR	80	210	2	140	Spring return to center	Double acting, 3 position with A and B closed in center (Cylinder spool) bar (psi)	Spring return to center	Double acting, 3 position with A and B closed in center (Cylinder spool) bar (psi)	3/4" BSP	With open center plug	Use port P and T at side plugged P and T on top (standard)

La información recogida en esta ficha (Catálogo) es de carácter orientativo y puede ser modificada o no sin previo aviso. UTECSA no se hace responsable de una correcta utilización del producto, salvo las referentes a defectos de fabricación.