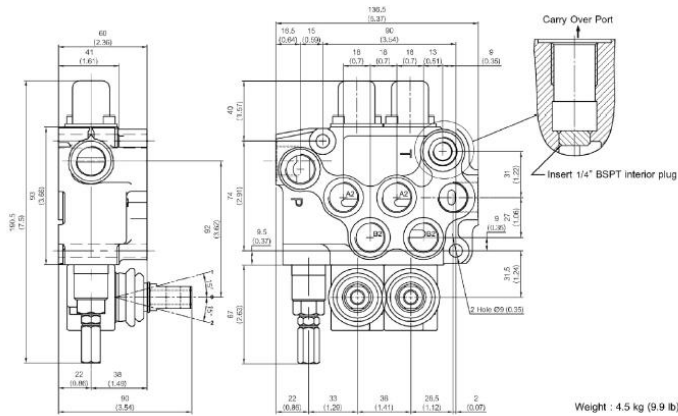




## Monoblock 2Pal-3/8G 45LPM 210 BAR



Weight : 4.5 kg (9.9 lb)

CODIGO	DESCRIPCION	Nominal Flow L/min	Maximum Pressure bar	Number of Spool	Relief Valve Setting bar	1st Spool Spool Control A Port side	1st Spool Spool Type	2nd Spool Spool Control A Port side	2nd Spool Spool Type	Port Connection (A-B, P, T, CO)	Circuit Option (Outlet cover)	Optional Port Connection
HOFVDMMB2004	Monoblock-2Pal-3/8G-45L Res(MB20/2-140/S1/S1/B3)	45	350	2	140	Spring return to center	Double acting, 3 position with A and B closed in center (Cylinder spool) bar (psi)	Spring return to center	Double acting, 3 position with A and B closed in center (Cylinder spool) bar (psi)	3/8" BSP	With open center plug	Use port P and T at side plugged P and T on top (standard)
HOFVDMMB2005	Monoblock-2Pal-3/8G-45L Enc/Res(MB20/2-140/LD1/LS1/OC/B3-SP)	45	350	2	140	Detent in three positions	Double acting, 3 position with A and B closed in center (Cylinder spool) bar (psi)	Spring return to center	Double acting, 3 position with A and B closed in center (Cylinder spool) bar (psi)	3/8" BSP	With open center plug	Use port P and T at side plugged P and T on top (standard)
HOFVDMMB2006	Monoblock 2Pal 3/8G-45L Res/Enc(MB20/2-210/LS1/LD2-OC-B3-SP)	45	350	2	210	Spring return to center	Double acting, 3 position with A and B closed in center (Cylinder spool) bar (psi)	Detent in three positions	Double acting, 3 position with A and B to tank in center (Motoring spool) bar (psi)	3/8" BSP	With open center plug	Use port P and T at side plugged P and T on top (standard)

La información recogida en esta ficha (Catálogo) es de carácter orientativo y puede ser modificada o no sin previo aviso. UTECSA no se hace responsable de una correcta utilización del producto, salvo las referentes a defectos de fabricación.