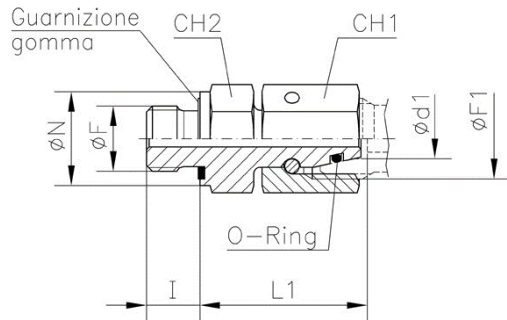




Conexión Tubo Hembra-Macho BSP



| CODIGO | DESCRIPCION | Serie Series | \varnothing Tubo Tube O.D. d_1 | PN | L1 | $\varnothing F$ | I | CH2 | $\varnothing N$ | $\varnothing F1$ | CH1 |
|-----------|-----------------------|--------------|------------------------------------|-----|------|-----------------|----|-----|-----------------|------------------|-----|
| LARAMAB06 | AMA 06 L x 1/8" BSP | L | 6 | 315 | 24,5 | 1/8" | 8 | 14 | 14 | 12x1,5 | 14 |
| LARAMAB07 | AMA 06 S x 1/4" BSP | S | 6 | 630 | 27 | 1/4" | 12 | 19 | 19 | 14x1,5 | 17 |
| LARAMAB08 | AMA 08 L x 1/4" BSP | L | 8 | 315 | 29,5 | 1/4" | 12 | 19 | 19 | 14x1,5 | 17 |
| LARAMAB09 | AMA 08 S x 1/4" BSP | S | 8 | 630 | 29,5 | 1/4" | 12 | 19 | 19 | 16x1,5 | 19 |
| LARAMAB10 | AMA 10 L x 1/4" BSP | L | 10 | 315 | 27,5 | 1/4" | 12 | 19 | 19 | 16x1,5 | 19 |
| LARAMAB11 | AMA 10 S x 3/8" BSP | S | 10 | 630 | 32 | 3/8" | 12 | 22 | 22 | 18x1,5 | 22 |
| LARAMAB12 | AMA 12 L x 3/8" BSP | L | 12 | 315 | 34 | 3/8" | 12 | 22 | 22 | 18x1,5 | 22 |
| LARAMAB13 | AMA 12 S x 3/8" BSP | S | 12 | 630 | 34 | 3/8" | 12 | 22 | 22 | 20x1,5 | 24 |
| LARAMAB14 | AMA 14 S x 1/2" BSP | S | 14 | 630 | 36,5 | 1/2" | 14 | 27 | 27 | 22x1,5 | 27 |
| LARAMAB15 | AMA 15 L x 1/2" BSP | L | 15 | 315 | 32 | 1/2" | 14 | 27 | 27 | 22x1,5 | 27 |
| LARAMAB16 | AMA 16 S x 1/2" BSP | S | 16 | 400 | 37 | 1/2" | 14 | 27 | 27 | 24x1,5 | 30 |
| LARAMAB18 | AMA 18 L x 1/2" BSP | L | 18 | 315 | 31,5 | 1/2" | 14 | 27 | 27 | 26x1,5 | 32 |
| LARAMAB20 | AMA 20 S x 3/4" BSP | S | 20 | 400 | 43 | 3/4" | 16 | 32 | 32 | 30x2 | 36 |
| LARAMAB22 | AMA 22 L x 3/4" BSP | L | 22 | 160 | 32,5 | 3/4" | 16 | 32 | 32 | 30x2 | 36 |
| LARAMAB25 | AMA 25 S x 1" BSP | S | 25 | 400 | 48 | 1" | 18 | 41 | 40 | 36x2 | 46 |
| LARAMAB28 | AMA 28 L x 1" BSP | L | 28 | 160 | 35 | 1" | 18 | 41 | 40 | 36x2 | 41 |
| LARAMAB30 | AMA 30 S x 1 1/4" BSP | S | 30 | 400 | 51 | 1" 1/4 | 20 | 50 | 50 | 42x2 | 50 |
| LARAMAB35 | AMA 35 L x 1 1/4" BSP | L | 35 | 160 | 42,5 | 1" 1/4 | 20 | 50 | 50 | 45x2 | 50 |
| LARAMAB38 | AMA 38 S x 1 1/2" BSP | S | 38 | 315 | 60 | 1" 1/2 | 22 | 55 | 55 | 52x2 | 60 |
| LARAMAB42 | AMA 42 L x 1 1/2" BSP | L | 42 | 160 | 46,5 | 1" 1/2 | 22 | 55 | 55 | 52x2 | 60 |

La información recogida en esta ficha (Catálogo) es de carácter orientativo y puede ser modificada o no sin previo aviso. UTECSA no se hace responsable de una correcta utilización del producto, salvo las referentes a defectos de fabricación.